

- NOTES:
1. MATERIAL:
 - 1.1 HOUSING: THERMOPLASTIC, HIGHTEMP., UL94V-0; COLOR: BLACK.
 - 1.2 CONTACT: COPPER ALLOY
 - 1.3 FITTING NAIL: COPPER ALLOY
 2. FINISH:
 - 2.1 CONTACT:
 - GOLD FLASH PLATING ON CONTACT.
 - GOLD FLASH PLATING ON SOLDER.
 - 50-100u" NICKEL UNDERPLATED OVERALL.
 - 2.2 FITTING NAIL:
 - 100-200u" MATT TIN PLATING ON SOLDER.
 - 50-100u" NICKEL UNDERPLATED OVERALL.
 3. REFLOW SOLDER CAPABLE TO 260°C PER ACES SPEC.
 4. SPEC. PLS. REFER TO PS-51733-XXXXX-XXX
 5. PACKAGE PLS. REFER TO 51733-XXXXX-00-TRP

6. PART NUMBER

51733-XXX X X-XXX

NO OF CKT

PACKING

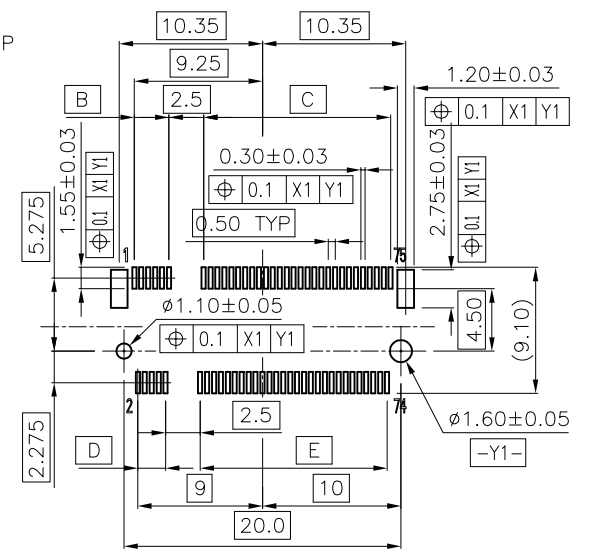
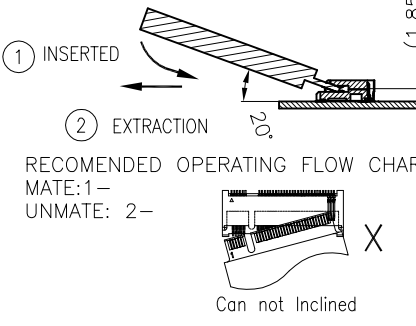
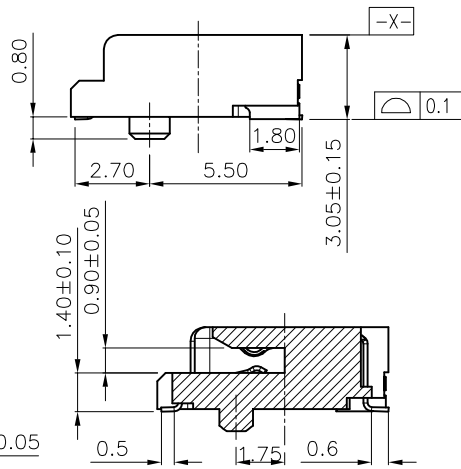
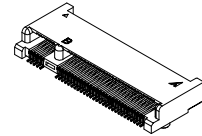
O.TAPE & REEL

KEY TYPE

- 001-A KEY
- 002-B KEY
- 005-E KEY
- 012-M KEY

CONTACT PLATING

- 2.GOLD FLASH ON CONTACT
- 6.GOLD 10u" ON CONTACT



DATUM X1 IS THE TOP OF SURFACE OF PCB.
RECOMMENDED P.C.B LAYOUT

NO.	PART NUMBER	KEY OPTION	DIM A	B	C	D	E
1	51733-xxxx-001	A	6.625	1.5	14.5	1.0	14.5
2	51733-xxxx-002	B	5.625	2.5	13.5	2.0	13.5
3	51733-xxxx-005	E	2.625	5.5	10.5	5.0	10.5
4	51733-xxxx-012	M	-6.125	14.0	2.0	14.0	1.5

QUALITY SYMBOLS

MAJOR ⓧ

CRITICAL ⓧ

GENERAL TOLERANCES (UNLESS SPECIFIED)

X. ±0.5

.X ±0.25

.XX ±0.15

.XXX ±0.1

ANGLES ±2°

DRAWN BY Liu·Hua

DATE 19/01/03

CHECKED BY

DATE

APPROVED BY Xu·ZhiYong

DATE 19/01/03

TITLE M.2 CONN.0.5Pitch H:3.2mm

UNITS mm

SCALE 1:1

SHEET NO. 1 OF 1

SIZE A4

REV G

RFQ NO. X

PART NO. SEE NOTES

DWG NO. 51733-XXXXX-XXX